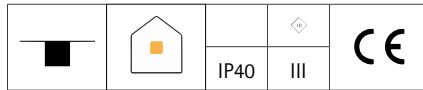
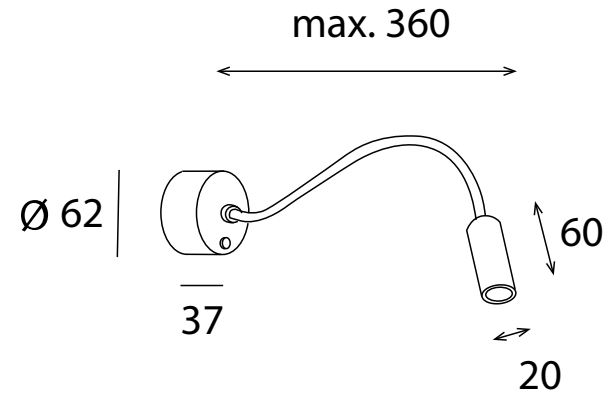


PLANE ZOOM FLEX AB TR



Installation: surface mounted



LIGHT COLOR

CID	COLOR/KELVIN/NM	CRI
8	2700K	≥80
2	3000K	≥80
7	4000K	≥80
1	5000K	≥80

MODULE

MID	POWER	CURRENT	LM OUTPUT
6	1,6W	500mA	215lm
13	1W	350mA	156lm

LIGHT DISTRIBUTION

LID	DESCRIPTION
0	15° to 60° focusable glass lens

SURFACE COLOR

SID	COLOR	CAPTION
NE		anodized
33		matte chrome
05		anodized black
01		chrome
02		gold 24kt
03		white satin coated

other finishes on request

PRODUCT CODE / NOMENCLATURE

LID	CID	SID	MID
PLANE	XX	XX	XX