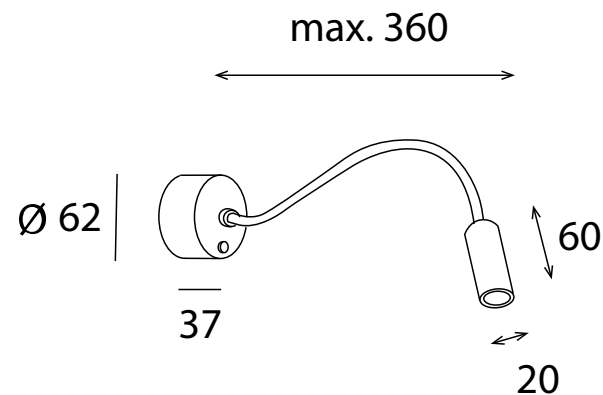


# PLANE FLEX AB TR



Installation: surface mounted



## LIGHT COLOR

CID	COLOR/KELVIN/NM	CRI
8	2700K	≥80
2	3000K	≥80
7	4000K	≥80
1	5000K	≥80

## MODULE

MID	POWER	CURRENT	LM OUTPUT
6	1,6W	500mA	215lm
13	1W	350mA	156lm

## LIGHT DISTRIBUTION

LID	DESCRIPTION
0	60° PC lens

## SURFACE COLOR

SID	COLOR	CAPTION
NE		anodized
33		matte chrome
05		anodized black
01		chrome
02		gold 24kt
03		white satin coated

other finishes on request

## PRODUCT CODE / NOMENCLATURE

LID	CID	SID	MID
PLANE	XX	XX	XX