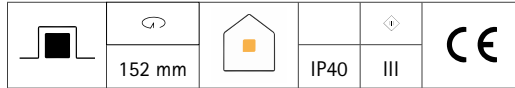
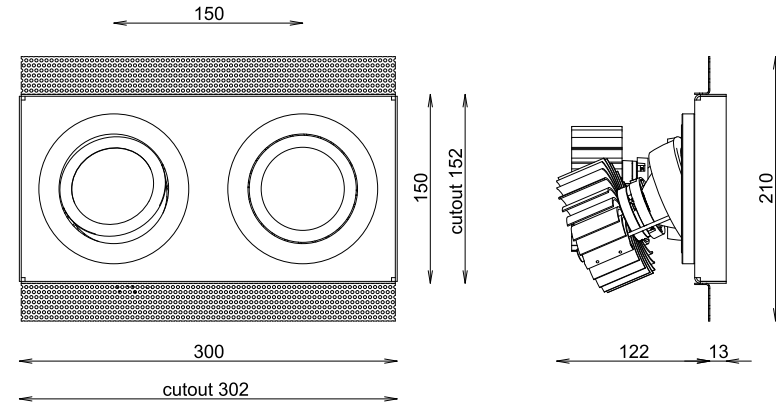


DOUBLE DOWNLIGHT



Installation: Frameless Recessed



LIGHT COLOR			
CID	COLOR/KELVIN/NM	CRI	
8	2700K	≥80	
2	3000K	≥80	
9	3500K	≥80	
7	4000K	≥80	
VIBR	3000K VIBRANCE	≥95	

MODULE				
	MID	POWER	CURRENT	LM OUTPUT
2x C-2000 Module	7	19,5W	700mA	2000lm
2x C-2000 Module Vibrance	8	19,5W	700mA	2000lm

LIGHT DISTRIBUTION	
LID	DESCRIPTION
2	Narrow 20°
4	Medium 40°

SURFACE COLOR		
SID	COLOR	CAPTION
NE		anodized
33		matte chrome
05		anodized black
03		white satin coated

other finishes on request

PRODUCT CODE / NOMENCLATURE				
LID	CID	SID	MID	
1582	XX	XX	-	XX