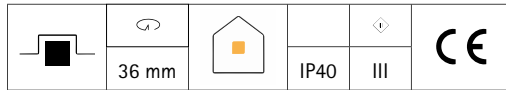
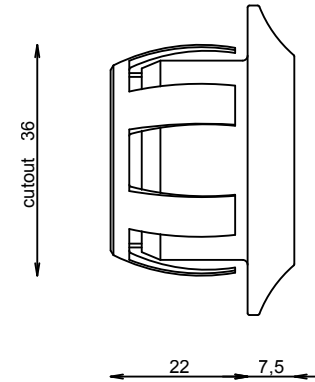
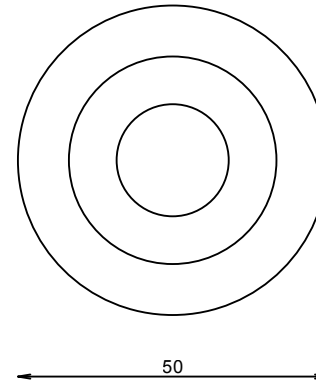


ANA GL



Installation: recessed



LIGHT COLOR

| CID | COLOR/KELVIN/NM | CRI |
|-----|-----------------|-----|
| 9 | 2700K | ≥80 |
| 2 | 3000K | ≥80 |
| 7 | 4000K | ≥80 |
| 1 | 5000K | ≥80 |
| 3 | Red 625nm | - |
| 4 | Green 530nm | - |
| 6 | Amber 590nm | - |
| 5 | Royalblue 455nm | - |

MODULE

| MID | POWER | CURRENT | LM OUTPUT |
|-----|-------|---------|-----------|
| 6 | 1,6W | 500mA | 215lm |
| 13 | 1W | 350mA | 156lm |

LIGHT DISTRIBUTION

| LID | DESCRIPTION |
|-----|-----------------|
| 9 | glass lense 60° |

SURFACE COLOR

| SID | COLOR | CAPTION |
|-----|-------|--------------------|
| NE | | anodized |
| 33 | | matte chrome |
| 05 | | anodized black |
| 01 | | chrome |
| 02 | | gold 24kt |
| 03 | | white satin coated |

other finishes on request

PRODUCT CODE / NOMENCLATURE

| LID | CID | SID | MID |
|------|-----|-----|-----|
| 1221 | XX | XX | XX |