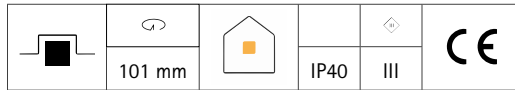
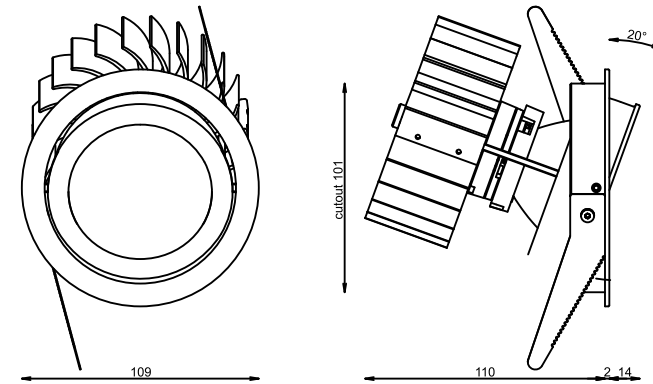


ADJUSTABLE DOWNLIGHT DS



Installation: recessed



LIGHT COLOR

CID	COLOR/KELVIN/NM	CRI
8	2700K	≥80
2	3000K	≥80
9	3500K	≥80
7	4000K	≥80
VIBR	3000K VIBRANCE	≥95

MODULE

	MID	POWER	CURRENT	LM OUTPUT
C-2000 Module	7	28,8W	1050mA	2000lm
C-2000 Module Vibrance	7	28,8W	1050mA	2000lm

LIGHT DISTRIBUTION

LID	DESCRIPTION
2	Narrow 20°
4	Medium 40°

SURFACE COLOR

SID	COLOR	CAPTION
NE		anodized
33		matte chrome
05		anodized black
03		white satin coated

other finishes on request

PRODUCT CODE / NOMENCLATURE

MID	LID	CID	SID
1480	XX	XX	0 XX - XX